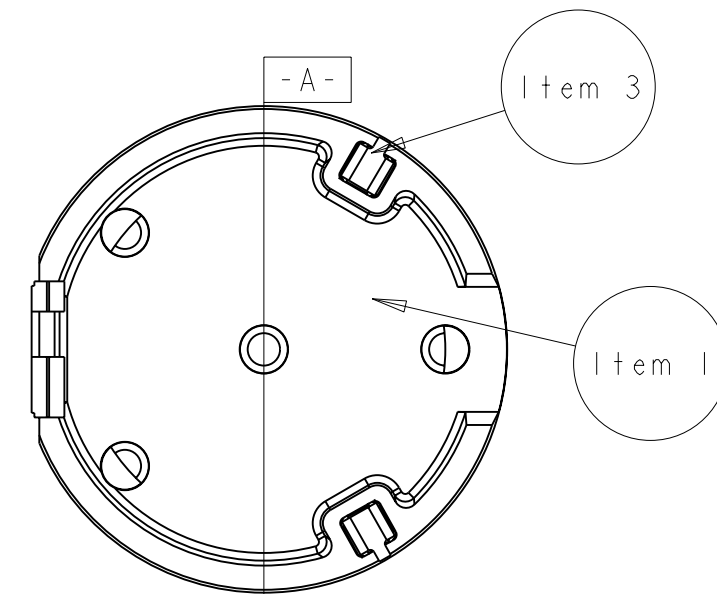
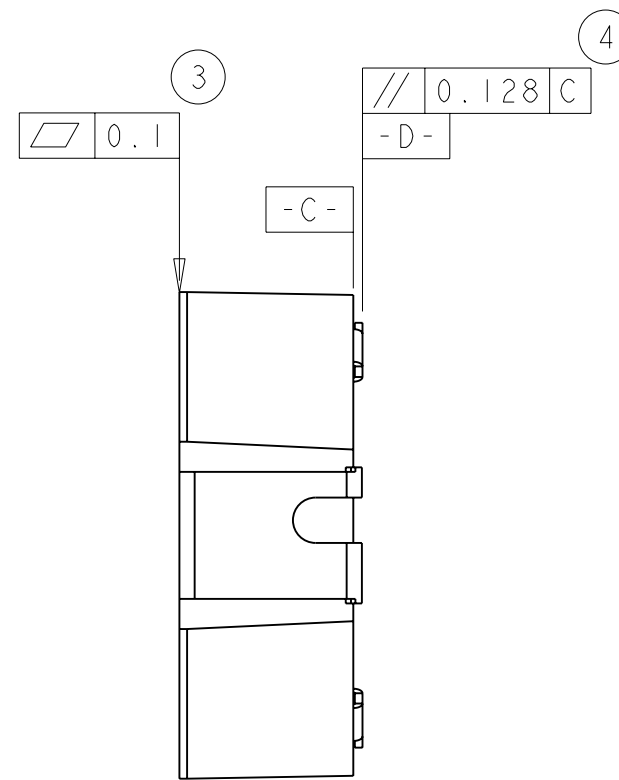
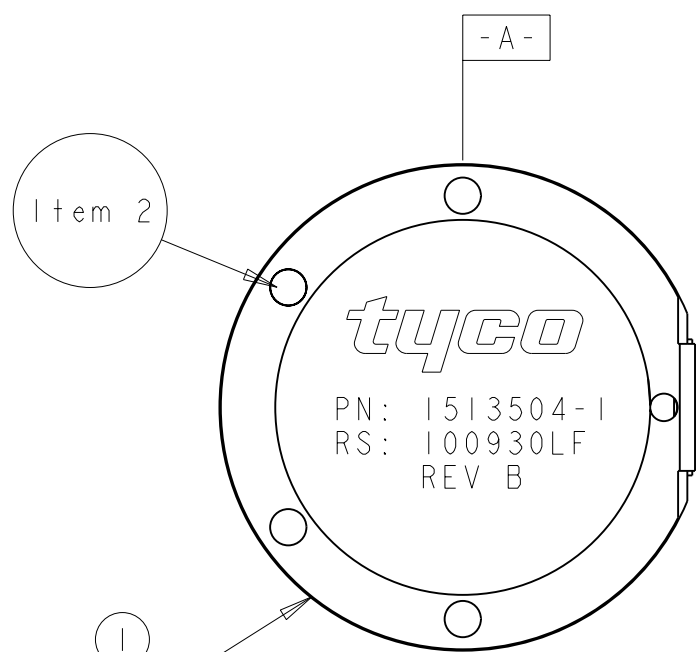
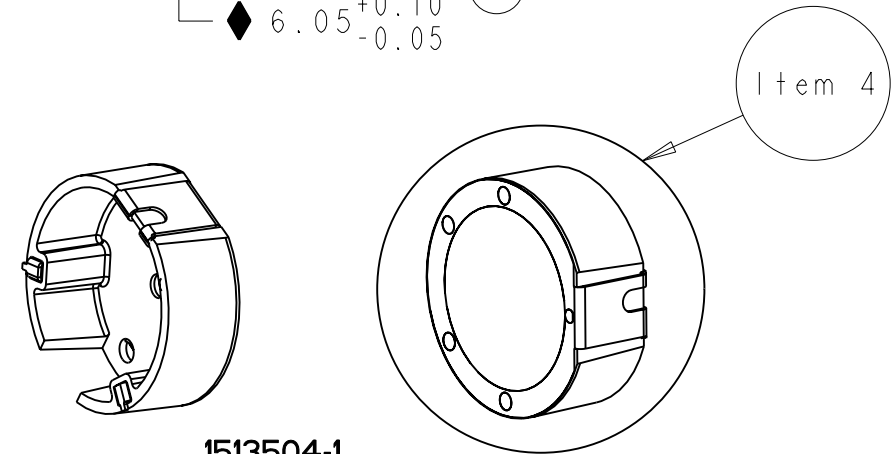
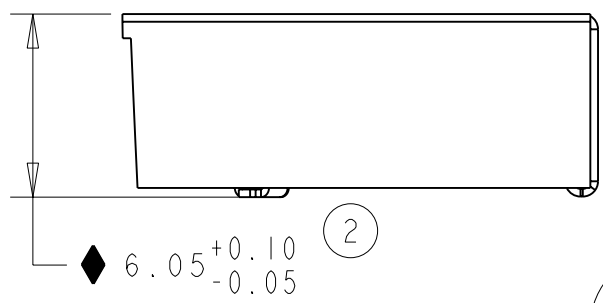


LOC	DIST	REVISIONS			
P	LTR	DESCRIPTION	DATE	DWN	APVD
HQ	00				
	1	New part number for lead free	20JAN2005	MAH	MAH
	2	Release	25JAN2005	MAH	MAH
	A	Tol. updated	04APR2005	DJL	MAH
	B	Release status revised	13FEB2006	DJL	MAH



◆ $\varnothing 16.00 \pm 0.1$



1513504-1
SCALE 2:1

NOTES:

- Material - LCP DuPont Zenite 5130L, 30% glass filled, black color
- Item 2 insert molded into Item 1. Flat side wall of Item 2 to be flush with flat side wall in Item 1.
- Item 3 press fit into Item 4.
- No air gaps between components
- General tolerance block applies unless otherwise specified.
- Parts are compliant to RoHS standards per Tyco standard 230-702.

◆ ONGOING STATISTICAL PROCESS CONTROL REQUIRED (TOTAL 2 PCS.)

ITEM NO.	QTY.	PART NO.	DESCRIPTION
1	1	1513504-2	OVERMOLDED METAL RING
2	1	1513151-3	METAL RING
3	2	1513167-1	ANCHOR TAB
4	1	1513504-1	ASSEMBLY

THIS DRAWING IS A CONTROLLED DOCUMENT FOR TYCO ELECTRONICS CORPORATION IT IS SUBJECT TO CHANGE AND THE CONTROLLING ENGINEERING ORGANIZATION SHOULD BE CONTACTED FOR THE LATEST REVISION.		DWN DJL 13FEB2006 CHK - APVD - PRODUCT SPEC - APPLICATION SPEC - WEIGHT -	tyco Electronics Tyco Electronics Rochester, New York 14623	
DIMENSIONS: mm 	TOLERANCES UNLESS OTHERWISE SPECIFIED: 0 PLC ±0.10 1 PLC ±0.10 2 PLC ±0.05 3 PLC ±0.05 4 PLC ±0.01 ANGLES ±1°	NAME Antenna Bluetooth/WLAN Assembly 1513504-1		
MATERIAL -	FINISH -	SIZE A3	CAGE CODE 00779	DRAWING NO. 1513504
CUSTOMER DRAWING		SCALE 4:1	SHEET 1 OF 1	REV B